

**Specifications for Vinidex Dry Basket Arrestor® Range**

Ref [www.vinidexdba.com.au](http://www.vinidexdba.com.au)

**Note: All products carry WaterMark**

**Sink-Guard® 2 (93028)**  
 Supply Vinidex Sink-Guard 2 (93028) the Polypropylene body unit with larger 304 stainless steel re-moveable basket and secondary screening plate. To suit 90 mm sink outlets.  
**Pricing Information:** contact C&RH (Tony O Donohue on 0411 557 600)

REV	DATE	DESCRIPTION	DRAWN
A	28.07.08	PARTS DRAWN FROM HARD COPIES	AG

UNLESS STATED, USING GENERAL TOLERANCES DIN ISO 2768-M BELOW

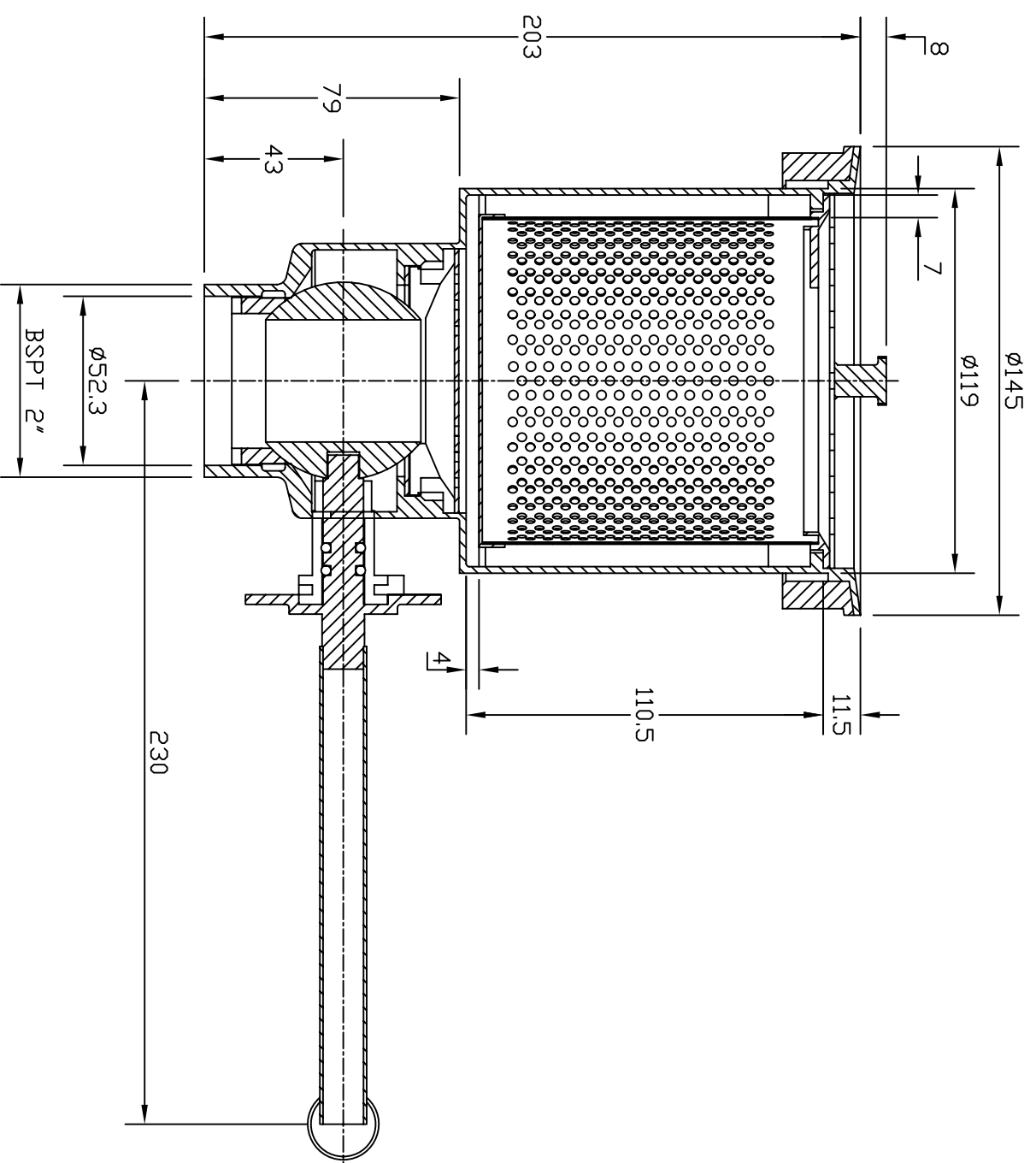
LENGTH & DIAMETER (MM)		ANGLE (DEGREES & MINUS)	
0.05-6	6-30	30-120	120-315
± 0.1	± 0.2	± 0.3	± 0.5
RADIUS & CHAMFER (MM)		ANGLE (DEGREES & MINUS)	
0.5-3	>3-6	>6-30	<10
± 0.2	± 0.5	± 1	± 1°

MATERIAL	OPERATION
SS 304	OPERATION



PRODUCT NAME	DESIGN
SINK GUARD 2	VINIDEX

SCALE 1:1  
 PAPER SIZE A3



**Specifications for Vinidex Dry Basket Arrestor® Range**

Ref [www.vinidexdba.com.au](http://www.vinidexdba.com.au)

**Note: All products carry WaterMark**

**Sink-Safe® Large (93031)**

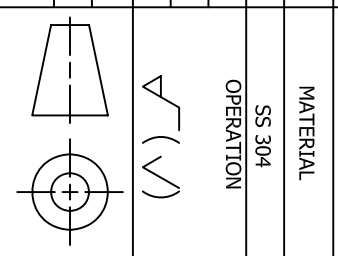
Supply Vinidex 304 grade stainless steel Sink-Safe® Large complete with extra large re-movable basket and ball valve to release sink contents (without having to remove a stopper). To suit 125 mm sink outlets.

**Pricing Information:** contact C&RH (Tony O Donohue on 0411 557 600)

REV	DATE	DESCRIPTION	DRAWN
A	28.07.08	PARTS DRAWN FROM HARD COPIES	AG

UNLESS STATED, USING GENERAL TOLERANCES DIN ISO 2768-M BELOW

LENGTH & DIAMETER (MM)			
0.05-6	6-30	30-120	120-315
± 0.1	± 0.2	± 0.3	± 0.5
RADIUS & CHAMFER (MM)			
0.5-3	>3-6	>6-30	<10
± 0.2	± 0.5	± 1	± 1°
ANGLE (DEGREES & MINUS)			
	>10-50	>50-120	>120-400
	± 0°30'	± 0°20'	± 0°30'
			>400
			± 0°5'



PRODUCT NAME  
**SINK-SAFE  
LARGE**

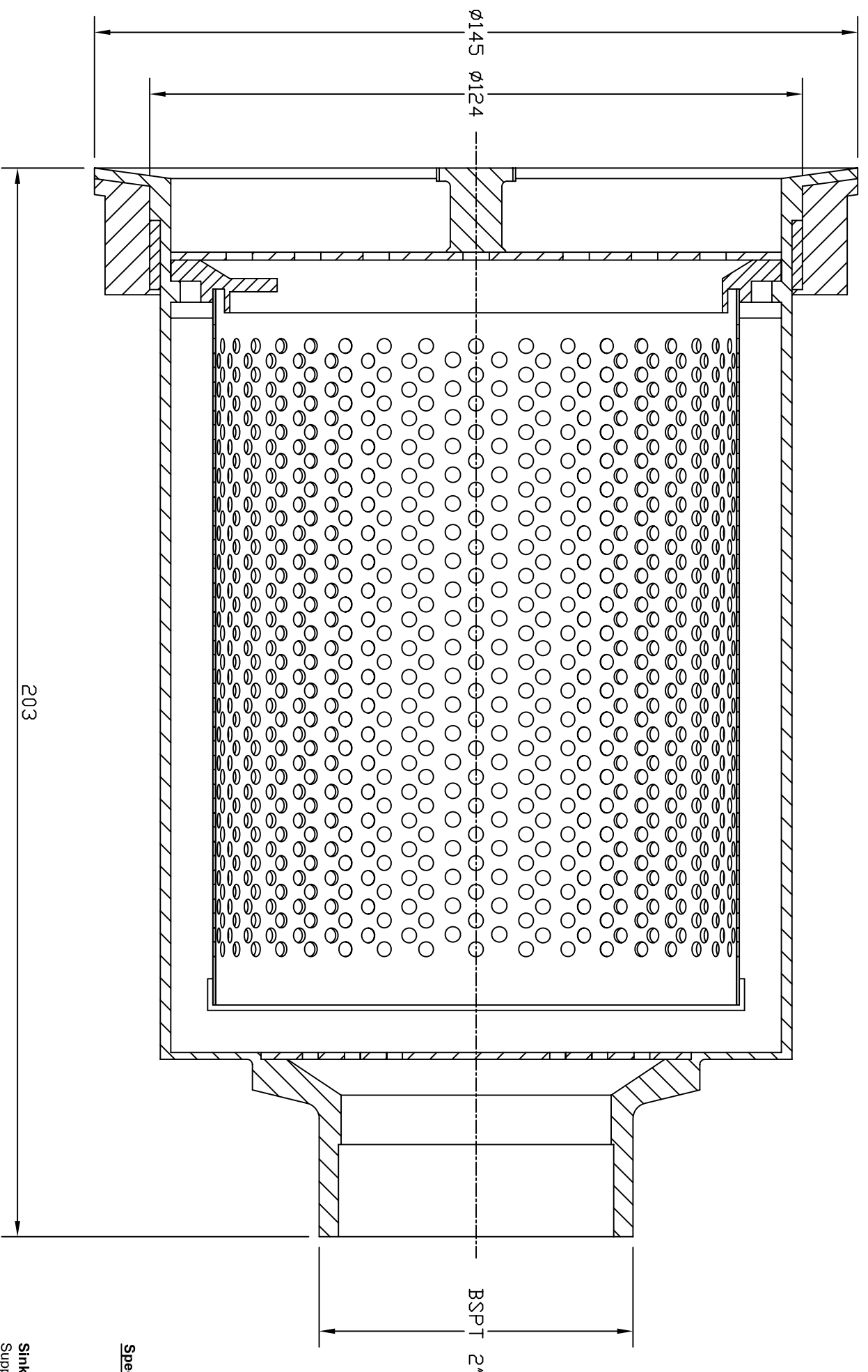
DESIGN  
**VINIDEX**

DRAWN  
**AG**

SCALE  
**1:2**

PAPER SIZE  
**A3**

**93031**



**Specifications for Vinidex Dry Basket Arrestor® Range**  
 Ref [www.vinidexdba.com.au](http://www.vinidexdba.com.au)  
**Note: All products carry WaterMark**

**Sink-Shield® Large (93030)**  
 Supply Vinidex 304 grade stainless steel Sink-Shield® Large complete with the extra large re-moveable basket and secondary screening plate. To suit 125 mm sink outlets.  
**Pricing Information:** contact C&RH (Tony O Donohue on 0411 557 600)

REV	DATE	DESCRIPTION	DRAWN
A	28.07.08	PARTS DRAWN FROM HARD COPIES	AG

UNLESS STATED, USING GENERAL TOLERANCES DIN ISO 2768-M BELOW

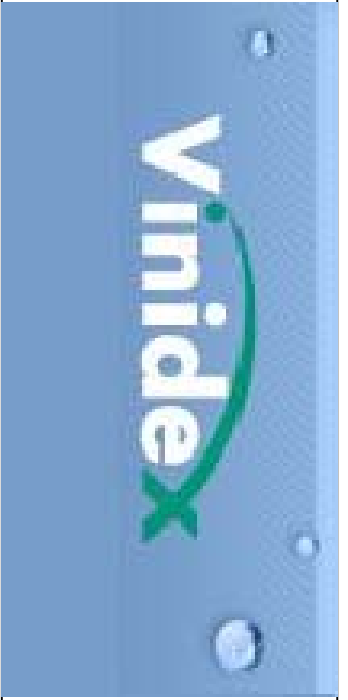
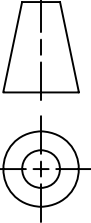
LENGTH & DIAMETER (MM)		ANGLE (DEGREES & MINUS)	
0.05-6	6-30	30-120	120-315
±0.1	±0.2	±0.3	±0.5
RADIUS & CHAMFER (MM)		ANGLE (DEGREES & MINUS)	
0.5-3	>3-6	>6-30	<10
±0.2	±0.5	±1	±1°
		>10-50	>50-120
		±0°30'	±0°20'
		>120-400	>400
		±0°30'	±0°5'

MATERIAL

SS 304

OPERATION

√ (√)



PRODUCT NAME

**SINK SHIELD  
 LARGE 93030**

DESIGN

**VINIDEX**

DRAWN

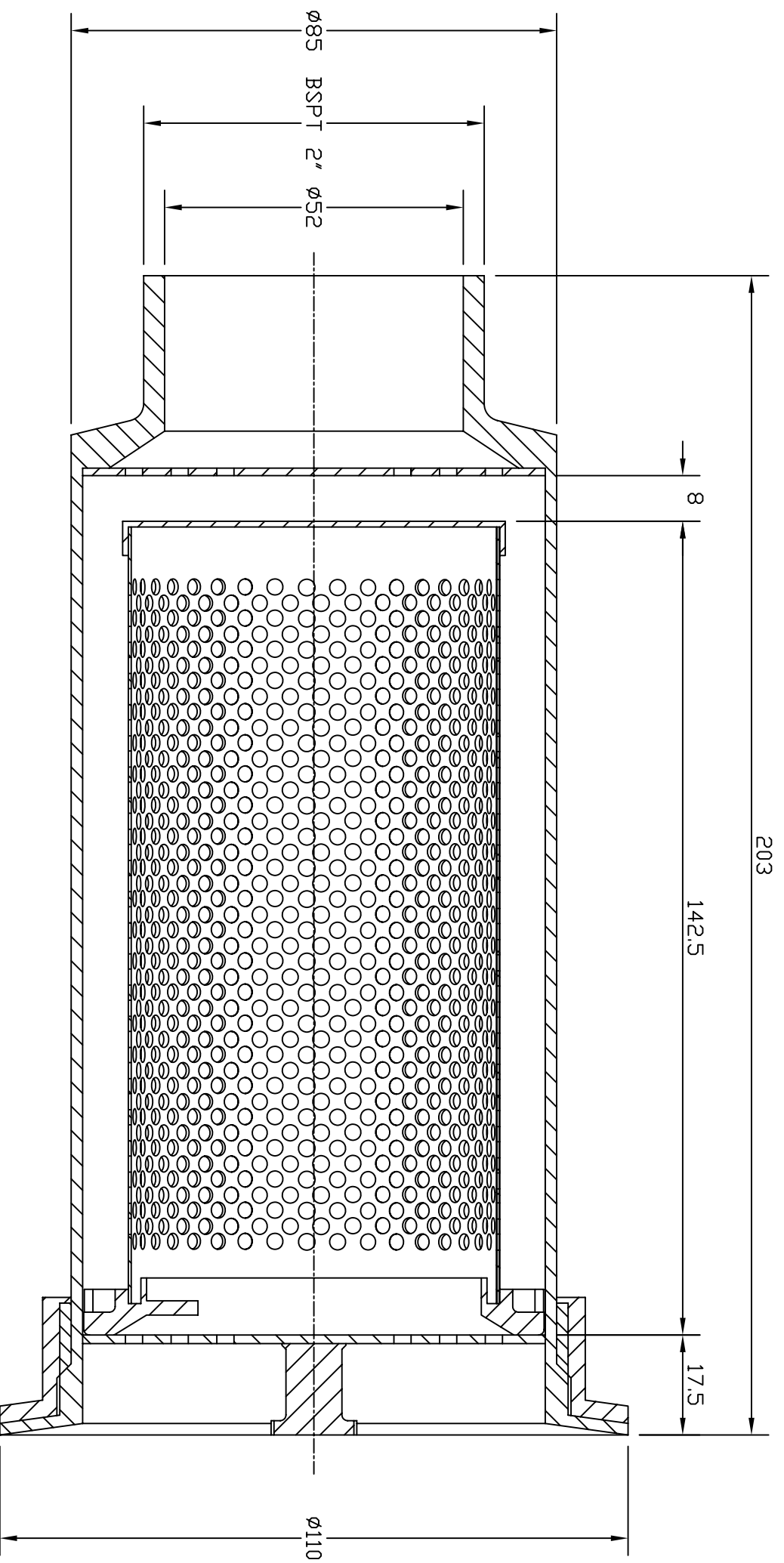
**AG**

SCALE

**1:1**

**93030**

PAPER SIZE **A3**



**Specifications for Vinidex Dry Basket Arrestor® Range**

Ref [www.vinidexdba.com.au](http://www.vinidexdba.com.au)

**Note: All products carry WaterMark**

**Sink-Shield® 2 (93027)**

Supply Vinidex 304 grade stainless steel Sink-Shield® 2 (93027) complete with larger re-moveable basket and secondary screening plate. To suit 90 mm sink outlets.

**Pricing Information:** contact C&RH (Tony O Donohue on 0411 557 600)

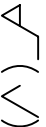
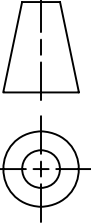
REV	DATE	DESCRIPTION	DRAWN
A	28.07.08	PARTS DRAWN FROM HARD COPIES	AG

UNLESS STATED, USING GENERAL TOLERANCES DIN ISO 2768-M BELOW

LENGTH & DIAMETER (MM)		ANGLE (DEGREES & MINUS)	
0.05-6	6-30	30-120	120-315
			315-1000
			1000-2000
± 0.1	± 0.2	± 0.3	± 0.5
			± 0.8
			± 1.2

RADIUS & CHAMFER (MM)		ANGLE (DEGREES & MINUS)	
0.5-3	>3-6	>6-30	<10
			>10-50
			>50-120
			>120-400
			>400
± 0.2	± 0.5	± 1	± 1°
			± 0°30'
			± 0°20'
			± 0°30'
			± 0°5'

MATERIAL	OPERATION
SS 304	
	OPERATION



PRODUCT NAME

**SINK SHIELD 2**

DESIGN

**VINIDEX**

DRAWN

**AG**

SCALE

**1:1**

**93027**

PAPER SIZE **A3**