



Sink Shield[®] & Sink Safe[®] Large

These products have been independently assessed by Ecospecifier & included on their list of health & environmentally preferable materials and products. Ecospecifier has determined that these products may contribute to Green Star credit points.

Visit www.ecospecifier.org for further information.

- Fits a 125 mm sink outlet hole
- Kitchen staff friendly and easy to use
- Eliminates the need for other sink screening
- Large stainless steel basket
- Easy to lift out and return
- Baskets are easy to empty and clean
- Solid, durable and dependable
- Connects to a standard 50 mm water trap
- Watermark and WSAA appraised



These products are intended for use in commercial kitchens to screen out and retain solid waste from the wastewater.

Large In-Sink Dry Basket Arrestor® products are intended for use in busy kitchens to reduce the frequency of emptying the basket and to eliminate the need for other screening devices in the sink.

This leaflet should be read in conjunction with our brochure Dry Basket Arrestor® (brochure VIN 278)

PRODUCT SPECIFICATIONS

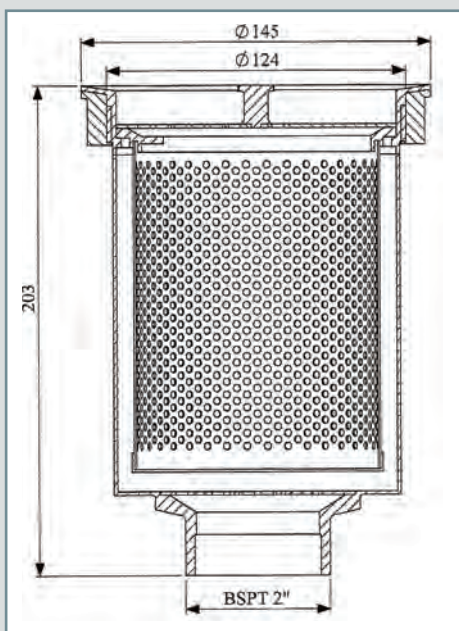
Sink-Safe® Large and Sink-Shield® Large are manufactured from 304 Grade Stainless Steel with an EPDM rubber Plug/Stopper. The baskets are manufactured from 304 stainless perforated plate for easy cleaning.

PRODUCT LIST

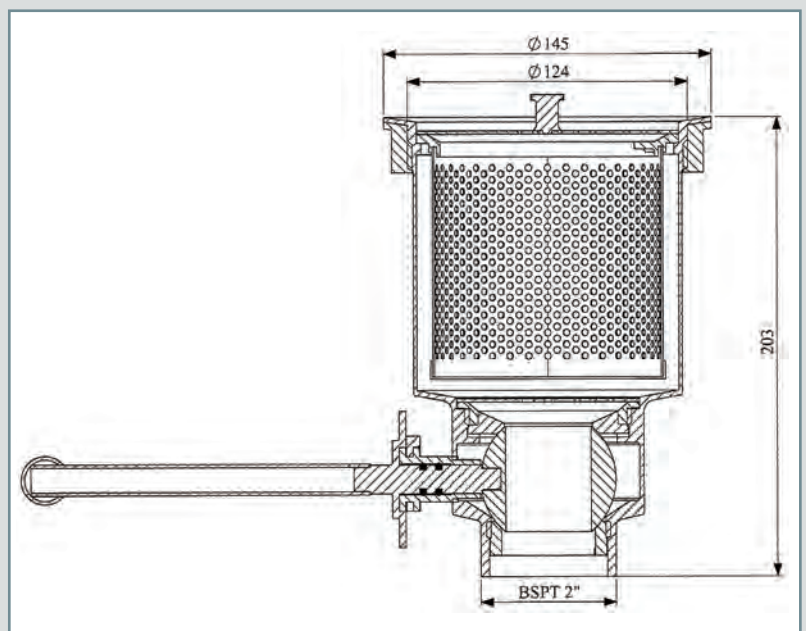
Product Code	Description	Added Information
93030	Sink-Shield® Large	
93031	Sink-Safe® Large	W/ ball valve (OH&S)
93036	Basket	Sink-Safe® Large
93037	Basket	Sink-Shield® Large
93038	Plug/Stopper	Sink-Shield® Large
93035	Filter Plate	Sink-Safe® Large and Sink-Shield® Large
81117	Flatrap (Australia Only)	Low Level "P & S" Trap
81119	Elfin Trap	Low Level "P & S" Trap

PRODUCT INFORMATION

Description	Basket Size	Capacity
Sink-Safe® Large	109mm H x 98mm Diameter	850 cc
Sink-Shield® Large	143mm H x 98mm Diameter	1100 cc



Sink-Shield® Large



Sink-Safe® Large