

Converge PVC Aerator

Reduced Velocity Aerator Stack System (RVASS)
Single stack plumbing solution to AS/NZS 1260

The Vinidex Converge PVC aerator is a key component of Reduced Velocity Aerator Stack System (RVASS) design which does not require separate relief vents or cross vent piping.

PART OF THE PVC DRAIN, WASTE & VENT SYSTEMS RANGE



- Manufactured by Vinidex in Australia
- Single stack plumbing solution
- Space saving within service risers
- Six connection points
- Increased design flexibility
- Time & money saving
- 100% recyclable
- Expansion joint and inspection opening also available

Applications

- Residential and commercial multi-story buildings
- High-rise buildings
- Commercial kitchens
- Industrial drainage systems

Technical Data

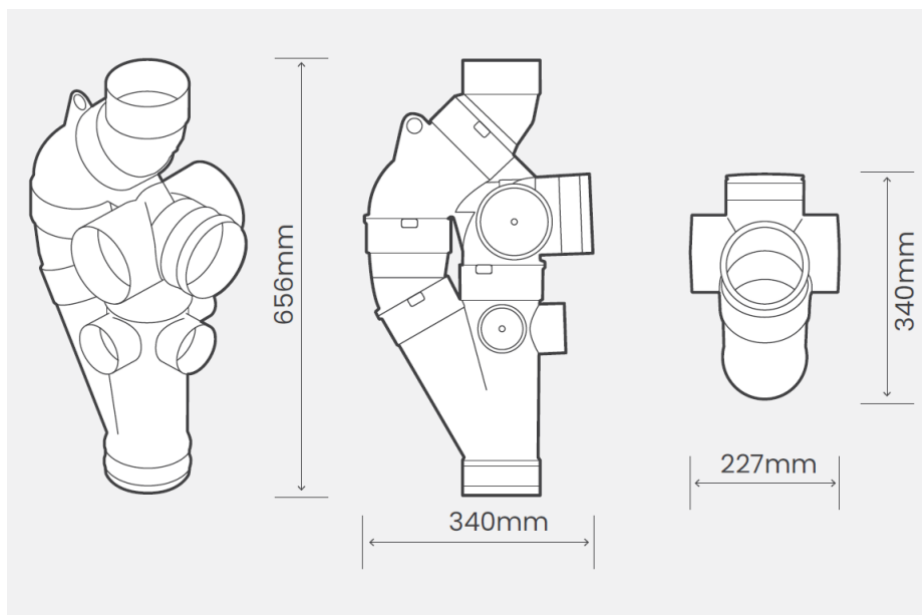
Nominal Diameter	DN100
Manufacturing Standard	AS/NZS 1260
License Number	WMK1246 (SAI Global)
Installation Standard	AS/NZS 3500.2
Quality Management System	ISO 9001
Certificate Number	QEC0570 (SAI Global)



ITEM	DESCRIPTION
Pipe material	PVC
Colour	Grey
Joint type	Solvent cement
Solvent cement type	Type N (blue)



Converge PVC Aerator Dimensions



Converge RVASS Product Range

Vinidex Code	Description	Cartons per Pallet
58293	100mm PVC DWV Converge aerator F&F	26
57150	100mm PVC DWV expansion joint and inspection opening	N/A
18000	100mm SN6 PVC DWV SC SCJ grey 6m	N/A
18002	100mm SN6 PVC DWV SC SCJ grey 3m	N/A

