

Flexible

Dismantling Joint Range

Fully Restrained Double Flanged Fitting

Vinidex
Systems & Solutions



 **VIKING JOHNSON™**

PIONEERS IN PIPE SOLUTIONS



Developed for Complete Versatility

The Dismantling Joint range was developed to provide greater versatility for the designer at the planning stage and the engineer in the installation stage of flanged pipe work systems and to allow for simple maintenance programmes.

Allows for Adjustment

The Dismantling Joints are double flanged fittings that accommodate up to 100mm (4") longitudinal adjustment and can be locked at the required length with the tie bars supplied. Not only does this system allow for fast, easy maintenance of valves, pumps or meters, it simplifies future pipe work modifications and reduces downtime when changes need to be made.

Easy to Install

The installation is also straightforward using just a spanner and torque wrench to tighten the high tensile steel or stainless steel tie bars. With fewer tie bars than flange holes that also act as flange jointing bolts, the installation process is quick and easy while offering a secure, rigid, fully end load resistant system with a pressure rating equal to that of the flange.

The Range

A comprehensive range is available from DN40 (1½") to DN2400 (80") with virtually any flange drilling or pressure rating supplied. Larger sizes and custom made Dismantling Joints can be designed and built on request.



Dismantling Joints

Flanged Pipe Materials



Dismantling Joint

Product Design Benefits

Full Flange Sealing

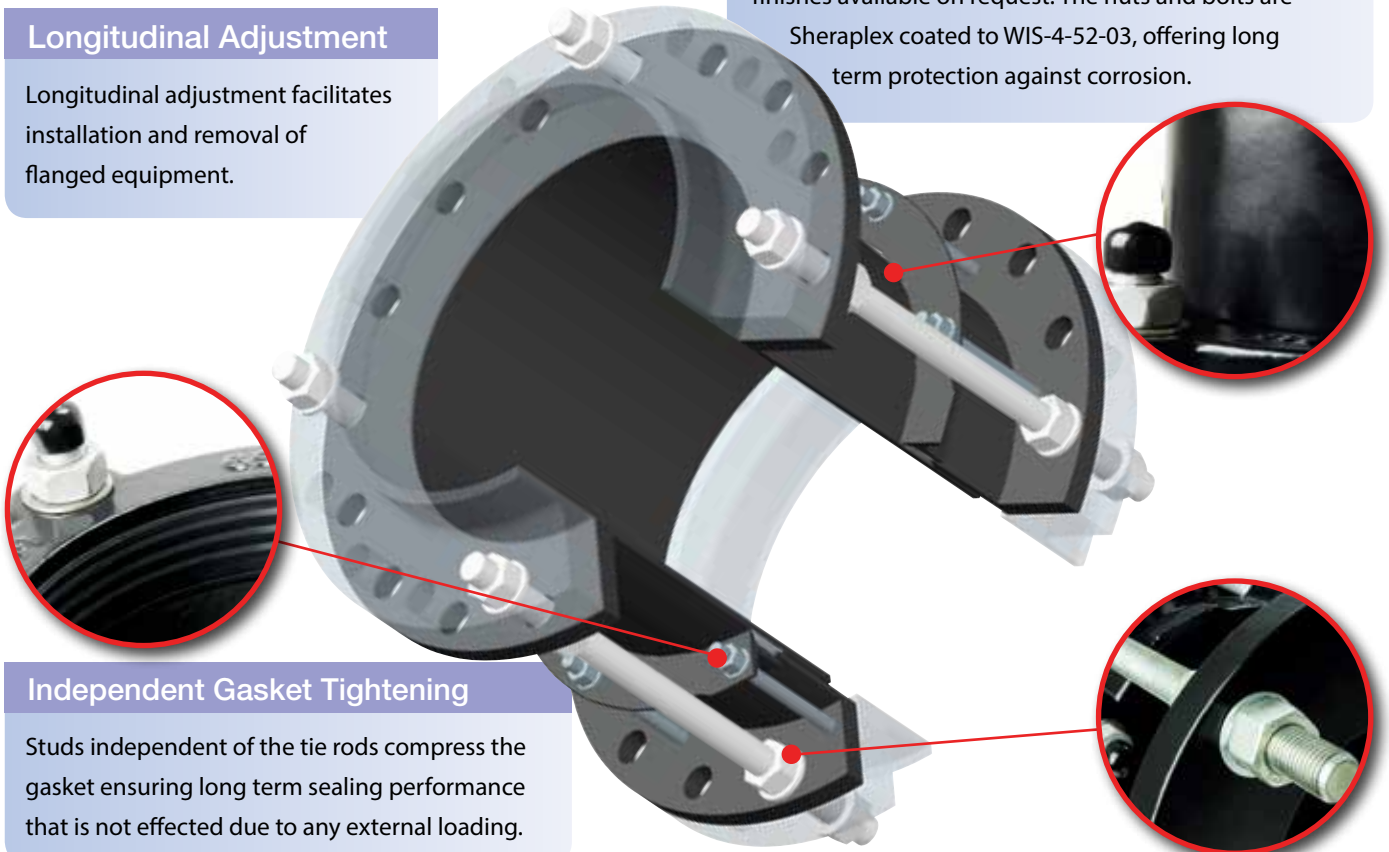
The flange of the spigot piece provides a full flange sealing area, making it ideal for applications where a full-face flange is required, e.g. wafer and butterfly valves.

Longitudinal Adjustment

Longitudinal adjustment facilitates installation and removal of flanged equipment.

Excellent Corrosion Protection

The flange adaptor and flange spigot are coated with WRAS approved Rilsan Nylon 11 providing excellent protection from transport, storage, site and corrosion damage. The tie bars are Zn³ Zinc Plated as standard with other coatings, grades and finishes available on request. The nuts and bolts are Sheraplex coated to WIS-4-52-03, offering long term protection against corrosion.



Independent Gasket Tightening

Studs independent of the tie rods compress the gasket ensuring long term sealing performance that is not effected due to any external loading.

Reduced Weight

The use of high tensile steel in the tie rods reduces the number required to accommodate end load forces, reducing the overall weight of the product.

Compact Design

Harnessing is provided within the bolt circle, eliminating other complex anchoring systems and reducing space requirements.

Customer Benefits

- Viking Johnson's Dismantling Joints are particularly suitable for simplifying the installation and removal of isolation valves, control valves, check valves, non-return valves, flow metering valves, pump sets, pressure reducing valves, flanged pipe and fittings.

- Designed and manufactured to BS EN ISO 9001 and tested to the most exacting requirements of WRAS (Water Regulatory Advisory Scheme) for use with potable water.

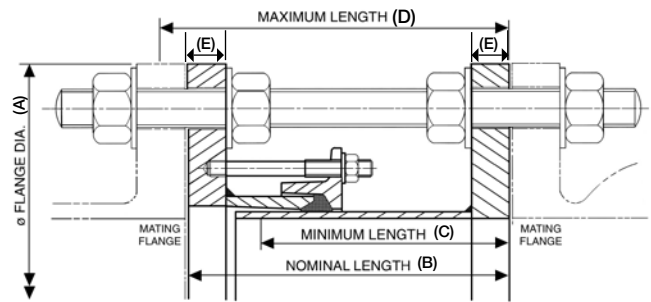
- The simplicity and versatility of the fittings make them suitable for many applications including pumping stations, water treatment works, sewage treatment works, plant rooms, meter chambers, power generation equipment, gas distribution stations.

- Studs independent of the tie rods compress the gasket allowing the use of smaller diameters than those in the flange connecting bolts so improving access for operatives during installation.

- Use of high tensile steel in the tie rods reduces the number required to accommodate the end load forces making it easier and quicker for operatives to install, especially in tight spaces, chambers and congested pump stations.

Dismantling Joint DN80 to DN600 (AS4087 PN16)

Specifications



Dismantling Joint

VX Code EPDM A4 Fasteners	Nominal Size (mm)	Drilling Table	Mating Flange (mm)	Flange Thickness E	Flange OD A	Flange to Flange Details			Stainless Steel Tie Rod		
						Nominal Length B	Min Length C	Max Length D	Dia x Length (mm)	No.	Total Weight (kg)
59580	DN80	AS4087 PN16	18.0	18.0	185	187	167	207	M16 x 300	4	10.6
59581	DN100	AS4087 PN16	20.0	18.0	215	187	167	207	M16 x 300	4	12.7
59582	DN150	AS4087 PN16	23.0	18.0	280	187	167	207	M16 x 300	4	18.3
59583	DN200	AS4087 PN16	23.0	18.0	335	187	167	207	M16 x 300	4	24.4
59584	DN225	AS4087 PN16	24.0	18.0	370	187	167	207	M16 x 300	4	26.8
59585	DN250	AS4087 PN16	24.0	18.0	405	187	167	207	M20 x 300	4	34.3
59586	DN300	AS4087 PN16	30.0	18.0	455	187	167	207	M20 x 320	4	40.5
59614	DN375	AS4087 PN16	33.0	18.0	550	295	270	320	M24 x 440	4	65.9
59615	DN400	AS4087 PN16	33.0	18.0	580	295	270	320	M24 x 440	4	70.6
59587	DN450	AS4087 PN16	33.0	23.0	640	300	275	325	M24 x 450	6	96.6
59588	DN500	AS4087 PN16	38.0	23.0	705	300	275	325	M24 x 460	8	114.6
59590	DN600	AS4087 PN16	48.0	23.0	825	300	275	325	M27 x 480	8	146.1

Materials & Relevant Standards

Flange Drilling

AS 4087 PN16

Cast Flange Adaptor

Body - Ductile Iron to BS EN1563:
Symbol EN-GJS-450-10

End Rings - Ductile Iron to BS EN1563:
Symbol EN-GJS-450-10

Fabricated Flange Adaptor

Body - Rolled Steel to BS EN 10025-2:
Grade S275

End Rings - Rolled Steel to BS EN 10025-2:
Grade S275

Sleeve - Steel Tube to BS EN10255:
or Steel Tube to BS EN10216-1: Grade
P265TR1 or Rolled Steel to BS EN 10025-2:
Grade S275

Flanged Spigot

Flange - Rolled Steel to BS EN 10025-2:
Grade S275

Spigot - Steel Tube to BS EN10255:
or Steel Tube to BS EN10216-1: Grade
P265TR1 or Rolled Steel to BS EN 10025-2:
Grade S275

Gaskets

BS EN681-1: Type WA WRAS listed

Steel Tie Rods & Nuts

Tie Rods - BS EN10269:+A1: Name 42CrMo4
(Yield 725N/mm²) (formerly MB7)

Nuts - BS EN20898-2: Property Class 8.0

Stainless Steel Tie Rods & Nuts

Tie Rods - Stainless Steel to BS EN3506-1:
Grade A2/A4 Property Class 70
(Yield 450N/mm²)

Nuts 4 per Tie Rod - Stainless Steel to BS
EN3506-2: Grade A2/A4 Property Class 80

Studs/Nuts/Washers

Studs - Steel to BS EN ISO898-1:
Property Class 4.8

Nuts - Steel to BS4190: Grade 4

Washers - Stainless Steel to BS1449:Part 2:
Grade 304S15

Coatings

(Others available on request)

Flange Adaptor - Rilsan Nylon 11

Flanged Spigot - Rilsan Nylon 11

End Ring - Rilsan Nylon 11

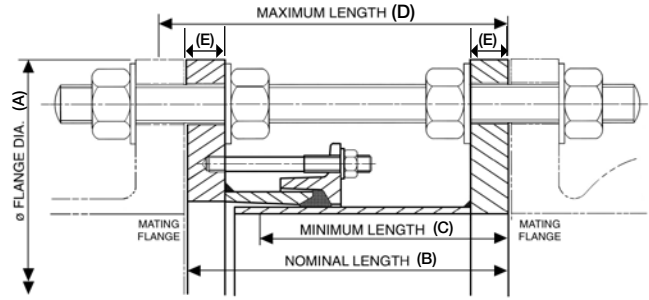
Studs/Nuts - Sheraplex to WIS 4-52-03

Steel Tie Rods/Nuts - Zn3 Zinc coated

A4 - 316 Stainless Steel Fasteners

Dismantling Joint DN50 to DN1200 (PN16)

Specifications



Dismantling Joint

VX Code EPDM A4 Fasteners	Nominal Size (mm)	Drilling Table	Flange Thickness E	Flange OD A	Flange to Flange Details			Stainless Steel Tie Rod		
					Nominal Length B	Min Length C	Max Length D	Dia x Length (mm)	No.	Total Weight (kg)
59591	DN50	BS EN1092-1 PN16	17.0	165	194	174	214	M16 x 300	4	8.2
59592	DN65	BS EN1092-1 PN16	17.0	185	194	174	214	M16 x 300	4	9.3
59593	DN80	BS EN1092-1 PN16	17.0	200	194	174	214	M16 x 300	4	10.4
59594	DN100	BS EN1092-1 PN16	17.0	220	194	174	214	M16 x 300	4	11.6
59595	DN125	BS EN1092-1 PN16	17.0	250	194	174	214	M16 x 300	4	13.5
59596	DN150	BS EN1092-1 PN16	17.0	285	194	174	214	M20 x 310	4	17.7
59597	DN200	BS EN1092-1 PN16	20.0	340	194	174	214	M20 x 310	4	24.1
59598	DN250	BS EN1092-1 PN16	19.0	405	194	174	214	M24 X 330	4	32.8
59599	DN300	BS EN1092-1 PN16	19.0	460	194	174	214	M24 x 330	4	40.0
59600	DN350	BS EN1092-1 PN16	18.0	520	295	270	320	M24 x 450	4	63.4
59601	DN400	BS EN1092-1 PN16	18.0	580	295	270	320	M27 x 460	4	75.2
59602	DN450	BS EN1092-1 PN16	23.0	640	300	275	325	M27 x 470	5	99.0
59603	DN500	BS EN1092-1 PN16	23.0	715	300	275	325	M30 x 480	5	121.0
59604	DN600	BS EN1092-1 PN16	23.0	840	300	275	325	M33 x 500	5	154.0
59605	DN700	BS EN1092-1 PN16	23.0	910	300	275	325	M33 x 520	6	162.0
59606	DN800	BS EN1092-1 PN16	23.0	1025	300	275	325	M36 x 540	8	190.5
59607	DN900	BS EN1092-1 PN16	25.0	1125	307	277	337	M36 x 570	10	251.5
59608	DN1000	BS EN1092-1 PN16	25.0	1255	307	277	337	M39 x 590	10	306.5
59609	DN1100	BS EN1092-1 PN16	38.0	1355	320	290	350	M39 x 610	12	438.0
59610	DN1200	BS EN1092-1 PN16	38.0	1485	320	290	350	M45 x 640	10	529.0

Materials & Relevant Standards

Flange Drilling

BS EN1092-1 (formerly BS4504), ISO7005

Fabricated Flange Adaptor

Body - Rolled Steel to BS EN 10025-2: Grade S275

End Rings/Sleeve - Rolled Steel to BS EN 10025-2: Grade S275 or Rolled Steel to BS EN 10025-2: Grade S355 (depending on section)

Flanged Spigot

Flange - Rolled Steel to BS EN 10025-2: Grade S275

Spigot - Steel Tube to BS10216-1: Grade P265TR1 or Rolled Steel to BS EN 10025-2: Grade S275

Gaskets

BS EN681-1: Type WA WRAS listed

Steel Tie Rods & Nuts

Tie Rods - BS EN10269: Name 42CrMo4 (Yield 725N/mm²) (formerly MB7)

Nuts - BS EN20898-2: Property Class 8.0

Stainless Steel Tie Rods & Nuts

Tie Rods - Stainless Steel to BS EN3506-1: Grade A2/A4 Property Class 70 (Yield 450N/mm²)

Nuts (sizes up to & including M48) 4 per Tie Rod - Stainless Steel to BS EN3506-2: Grade A2/A4 Property Class 80

Nuts (sizes over M48) 6 per Tie Rod - Stainless Steel to BS EN3506-2: Grade A2/A4 Property Class 50

Studs/Nuts/Washers

Studs - Steel to BS EN ISO898-1: Property Class 4.8

Nuts - Steel to BS4190: Grade 4

Washers - Stainless Steel to BS1449:Part 2: Grade 304S15

Coatings (Others available on request)

Fabricated Flange Adaptor - Rilsan Nylon 11

Flanged Spigot - Rilsan Nylon 11

End Ring - Rilsan Nylon 11

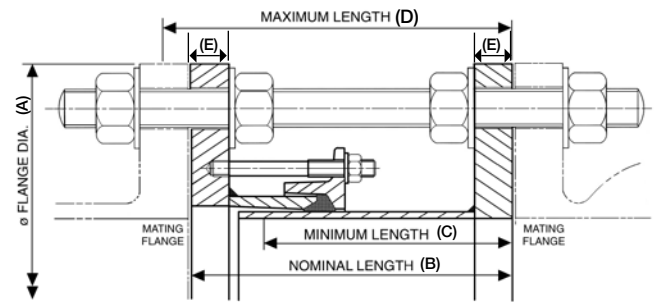
Studs/Nuts - Sheraplex to WIS 4-52-03

Steel Tie Rods/Nuts - Zn3 Zinc coated

A4 - 316 Stainless Steel Fasteners

Dismantling Joint DN350 to DN1800 (PN25)

Specifications



Dismantling Joint

Flange Details				Flange to Flange Details			Tie Rod Details					
Nominal Size (mm)	Drilling Table	Flange Thickness	Flange OD A	Nominal Length B	Min Length C	Max Length D	Steel Tie Rod			Stainless Steel Tie Rod		
							Dia x Length (mm)	No.	Total Weight of DJ (kg)	Dia x Length (mm)	No.	Total Weight of DJ (kg)
350	PN25	25	555	302	277	327	M30 x 480	4	91.1	M30 x 480	4	91.1
400	PN25	25	620	302	277	327	M33 x 490	4	109.0	M33 x 490	4	109.0
450	PN25	25	670	302	277	327	M33 x 500	5	122.0	M33 x 500	5	122.0
500	PN25	25	730	302	277	327	M33 x 510	5	137.0	M33 x 510	5	137.0
550	PN25	25	785	302	277	327	M36 x 530	5	155.0	M36 x 530	5	155.0
600	PN25	25	845	302	277	327	M36 x 540	5	170.0	M36 x 540	6	177.0
650	PN25	25	895	307	277	327	M36 x 550	6	199.0	M36 x 550	8	211.0
700	PN25	25	960	302	277	327	M39 x 570	6	212.0	M39 x 570	8	227.0
800	PN25	25	1085	307	277	337	M45 x 630	6	279.0	M45 x 630	8	302.0
900	PN25	25	1185	307	277	337	M45 x 630	7	317.0	M45 x 630	10	350.0
1000	PN25	38	1320	320	290	350	M52 x 660	7	520.0	M52 x 740	8	567.0
1200	PN25	38	1530	320	290	350	M52 x 690	8	637.0	M52 x 770	12	724.0
1400	PN25	60	1755	462	412	512	M56 x 890	9	1181.0	M56 x 980	14	1369.0
1600	PN25	60	1975	462	412	512	M56 x 920	10	1514.0	M56 x 1010	16	1740.0
1800	PN25	60	2185	462	412	512	M64 x 970	11	1855.0	M64 x 1075	16	1970.0

Materials & Relevant Standards

Flange Drilling

BS EN1092-1 (formerly BS4504), ISO7005

Fabricated Flange Adaptor

Body - Rolled Steel to BS EN 10025-2: Grade S275

End Rings/Sleeve - Rolled Steel to BS EN 10025-2: Grade S275
or Rolled Steel to BS EN 10025-2: Grade S355 (depending on section)

Flanged Spigot

Flange - Rolled Steel to BS EN 10025-2: Grade S275

Spigot - Steel Tube to BS10216-1: Grade P265TR1
or Rolled Steel to BS EN 10025-2: Grade S275

Gaskets

BS EN681-1: Type WA WRAS listed

Steel Tie Rods & Nuts

Tie Rods - BS EN10269: Name 42CrMo4 (Yield 725N/mm²) (formerly MB7)

Nuts - BS EN20898-2: Property Class 8.0

Stainless Steel Tie Rods & Nuts

Tie Rods - Stainless Steel to BS EN3506-1: Grade A2/A4 Property Class 70 (Yield 450N/mm²)

Nuts (sizes up to & including M48) 4 per Tie Rod

Rod - Stainless Steel to BS EN3506-2: Grade A2/A4 Property Class 80

Nuts (sizes over M48) 6 per Tie Rod -

Stainless Steel to BS EN3506-2: Grade A2/A4 Property Class 50

Studs/Nuts/Washers

Studs - Steel to BS EN ISO898-1: Property Class 4.8

Nuts - Steel to BS4190: Grade 4

Washers - Stainless Steel to BS1449:Part 2: Grade 304S15

Coatings (Others available on request)

Fabricated Flange Adaptor - Rilsan Nylon 11

Flanged Spigot - Rilsan Nylon 11

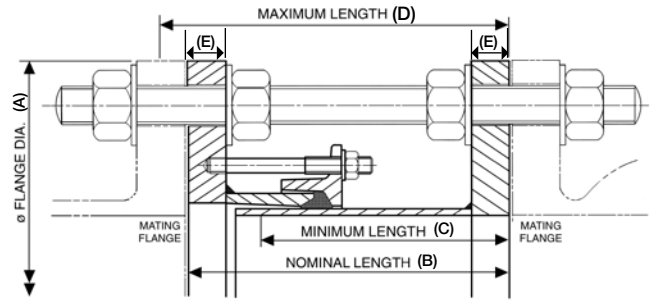
End Ring - Rilsan Nylon 11

Studs/Nuts - Sheraplex to WIS 4-52-03

Steel Tie Rods/Nuts - Zn3 Zinc coated

Dismantling Joint DN350 to DN1600 (PN40)

Specifications



Dismantling Joint

Flange Details				Flange to Flange Details			Tie Rod Details					
Nominal Size (mm)	Drilling Table	Flange Thickness	Flange OD A	Nominal Length B	Min Length C	Max Length D	Steel Tie Rod			Stainless Steel Tie Rod		
							Dia x Length (mm)	No.	Total Weight of DJ (kg)	Dia x Length (mm)	No.	Total Weight of DJ (kg)
350	PN40	25	58	307	277	337	M33 x 520	4	111.0	M33 x 520	4	111.0
400	PN40	25	620	307	277	337	M36 x 540	4	138.0	M36 x 540	4	138.0
450	PN40	25	660	307	277	337	M36 x 550	5	148.0	M36 x 550	5	148.0
500	PN40	25	685	307	277	337	M39 x 570	5	178.0	M39 x 570	6	186.0
550	PN40	38	755	320	290	350	M45 x 600	5	289.0	M45 x 600	5	289.0
600	PN40	38	835	320	290	350	M45 x 620	5	313.0	M45 x 620	6	325.0
650	PN40	38	890	320	290	350	M45 x 630	6	350.0	M45 x 630	8	374.0
700	PN40	38	945	320	290	350	M45 x 640	6	375.0	M45 x 640	8	399.0
800	PN40	38	995	320	290	350	M52 x 680	6	479.0	M52 x 760	8	544.0
900	PN40	38	1140	320	290	350	M52 x 700	7	570.0	M52 x 780	10	661.0
1000	PN40	38	1250	320	290	350	M52 x 720	8	661.0	M52 x 810	14	826.0
1200	PN40	38	1360	320	290	350	M52 x 780	10	863.0	M56 x 870	16	1073.0
1400	PN40	60	1575	462	412	512	M56 x 980	14	1640.0	M56 x 1070	22	1937.0
1600	PN40	60	1795	462	412	512	M64 x 1040	14	1988.0	M64 x 1140	20	2318.0

Materials & Relevant Standards

Flange Drilling

BS EN1092-1 (formerly BS4504), ISO7005

Fabricated Flange Adaptor

Body - Rolled Steel to BS EN 10025-2: Grade S275

End Rings/Sleeve - Rolled Steel to BS EN 10025-2: Grade S275

or Rolled Steel to BS EN 10025-2: Grade S355 (depending on section)

Flanged Spigot

Flange - Rolled Steel to BS EN 10025-2: Grade S275

Spigot - Steel Tube to BS10216-1: Grade P265TR1

or Rolled Steel to BS EN 10025-2: Grade S275

Gaskets

BS EN681-1: Type WA WRAS listed

Steel Tie Rods & Nuts

Tie Rods - BS EN10269: Name 42CrMo4 (Yield 725N/mm²) (formerly MB7)

Nuts - BS EN20898-2: Property Class 8.0

Stainless Steel Tie Rods & Nuts

Tie Rods - Stainless Steel to BS EN3506-1: Grade A2/A4 Property Class 70 (Yield 450N/mm²)

Nuts (sizes up to & including M48) 4 per Tie Rod

- Stainless Steel to BS EN3506-2: Grade A2/A4 Property Class 80

Nuts (sizes over M48) 6 per Tie Rod - Stainless Steel to BS EN3506-2: Grade A2/A4 Property Class 50

Studs/Nuts/Washers

Studs - Steel to BS EN ISO898-1: Property Class 4.8

Nuts - Steel to BS4190: Grade 4

Washers - Stainless Steel to BS1449:Part 2: Grade 304S15

Coatings (Others available on request)

Fabricated Flange Adaptor - Rilsan Nylon 11

Flanged Spigot - Rilsan Nylon 11

End Ring - Rilsan Nylon 11

Studs/Nuts - Sheraplex to WIS 4-52-03

Steel Tie Rods/Nuts - Zn3 Zinc coated

Vinidex Pty Limited
ABN 42 000 664 942

HEAD OFFICE
Level 4, 26 College Street
Darlinghurst NSW 2010
PO Box 747, Darlinghurst NSW 1300

CUSTOMER SERVICE
P 13 11 69 | F 13 24 43
E sales@vinidex.com.au
W www.vinidex.com.au

Reception: +61 2 8278 0500



AUSTRALIAN OPERATIONS

Sydney

254 Woodpark Rd
Smithfield NSW 2164

Adelaide

9-11 Kaurna Ave
Edinburgh SA 5111

Townsville

18 Enterprise St
Bohle QLD 4816

Darwin

61 Marjorie St
Pinelands NT 0829

Wagga Wagga

280 Byrnes Rd
Wagga Wagga
NSW 2650

Launceston

15 Thistle St
Sth Launceston TAS 7249

Toowoomba

Lot 2 Witmack Rd
Wellcamp QLD 4350

Perth

Sainsbury Rd
O'Connor WA 6163

Melbourne

Unit 1, 10 Duerdin St
Notting Hill VIC 3168

Brisbane

224 Musgrave Rd
Coopers Plains QLD 4108

Rodney Industries

19 Valente Close
Chermside QLD 4032

an *Aliaxis* company

231-245 St Albans Rd
Sunshine VIC 3020

Limitation of Liability

This product catalogue has been compiled by Vinidex Pty Limited ("the Company") to promote better understanding of the technical aspects of the Company's products to assist users in obtaining from them the best possible performance.

The product catalogue is supplied subject to acknowledgement of the following conditions:

1 The product catalogue is protected by copyright and may not be copied or reproduced in any form or by any means in whole or in part without prior consent in writing by the Company. 2 Product specifications, usage data and advisory information may change from time to time with advances in research and field experience. The Company reserves the right to make such changes at any time without further notice. 3 Correct usage of the Company's products involves engineering judgements, which can not be properly made without full knowledge of all the conditions pertaining to each specific installation. The Company expressly disclaims all and any liability to any person whether supplied with this publication or not in respect of anything and all of the consequences of anything done or omitted to be done by any such person in reliance whether whole or part of the contents of this publication. 4 No offer to trade, nor any conditions of trading, are expressed or implied by the issue of content of this product catalogue. Nothing herein shall override the Company's Condition of Sale, which may be obtained from the Registered Office or any Sales Office of the Company. 5 This product catalogue is and shall remain the property of the Company, and shall be surrendered on demand to the Company. 6 Information supplied in this product catalogue does not override a job specification, where such conflict arises; consult the authority supervising the job. © Copyright Vinidex Pty Limited.